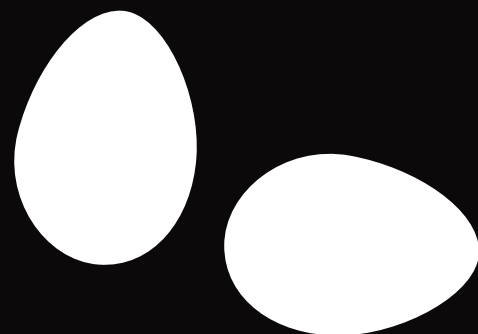


GAS COOKTOPS
SLIMLINE COLLECTION



60cm Gas Cooktop

Features

- 4 burners
- Stainless steel finish
- Electronic ignition
- Heavy duty cast iron trivets
- Front control operation
- Flame failure safety device

Burner Output (kW):

- 1 x 3.00 kW/h Rapid burner
- 2 x 1.75 kW/h Semi rapid burner
- 1 x 1.00 kW/h Auxiliary burner

Burner Output (MJ approx)

- 1 x 10.80 MJ/h Rapid burner
- 2 x 6.30 MJ/h Semi rapid burner
- 1 x 3.60 MJ/h Auxiliary burner

Standard Accessories:

- LPG conversion kit
- Wok cradle



60cm Gas Cooktop

Features

- 4 burners
- Stainless steel finish
- Electronic ignition
- Heavy duty cast iron trivets
- Front control operation
- Flame failure safety device

Burner Output (kW):

- 1 x 3.80 kW/h Triple ring wok burner
- 2 x 1.75 kW/h Semi rapid burner
- 1 x 1.00 kW/h Auxiliary burner

Burner Output (MJ approx)

- 1 x 14.0 MJ/h Triple ring wok burner
- 2 x 6.30 MJ/h Semi rapid burner
- 1 x 3.60 MJ/h Auxiliary burner

Standard Accessories:

- LPG conversion kit
- Wok cradle



70cm Gas Cooktop

Features

- 5 burners
- Stainless steel finish
- Electronic ignition
- Heavy duty cast iron trivets
- Front control operation
- Flame failure safety device
- Fits into 60cm cut out

Burner Output (kW):

- 1 x 3.80 kW/h Triple ring wok burner
- 1 x 3.00 kW/h Rapid burner
- 2 x 1.75 kW/h Semi rapid burner
- 1 x 1.00 kW/h Auxiliary burner

Burner Output (MJ approx)

- 1 x 14.00 MJ/h Triple ring wok burner
- 1 x 1.80 MJ/h Rapid burner
- 2 x 6.30 MJ/h Semi rapid burner
- 1 x 3.60 MJ/h Auxiliary burner

Standard Accessories:

- LPG conversion kit
- Wok cradle



BHG790SS

90cm Gas Cooktop

Features

- 5 burners
- Stainless steel finish
- Electronic ignition
- Heavy duty cast iron trivets
- Front control operation
- Flame failure safety device

Burner Output (kW):

- 1 x 3.35 kW/h Triple ring wok burner
- 1 x 2.80 kW/h Rapid burner
- 2 x 1.75 kW/h Semi rapid burner
- 1 x 1.00 kW/h Auxiliary burner

Burner Output (MJ approx)

- 1 x 12.10 MJ/h Triple ring wok burner
- 1 x 10.00 MJ/h Rapid burner
- 2 x 6.30 MJ/h Semi rapid burner
- 1 x 3.60 MJ/h Auxiliary burner

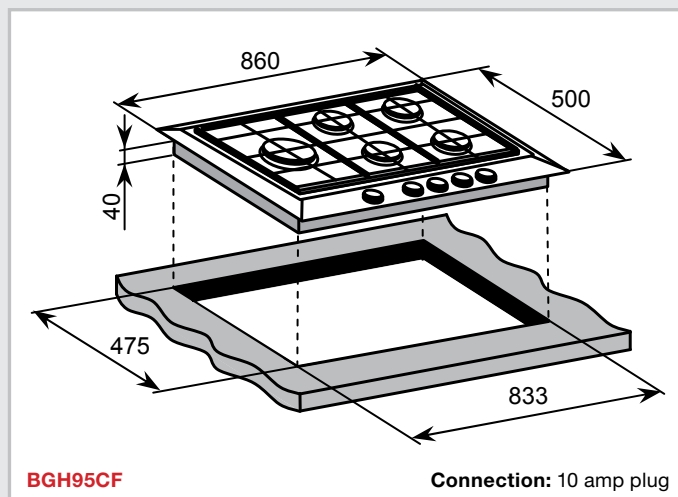
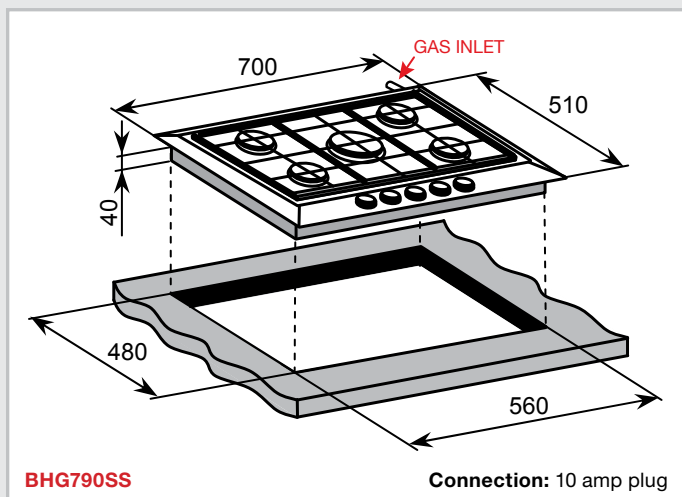
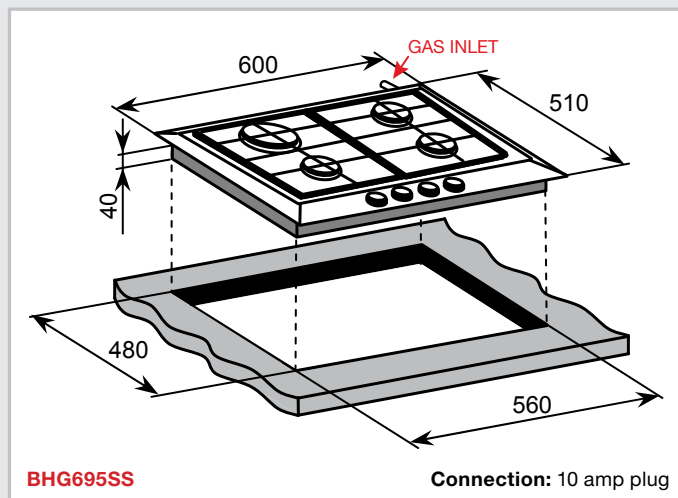
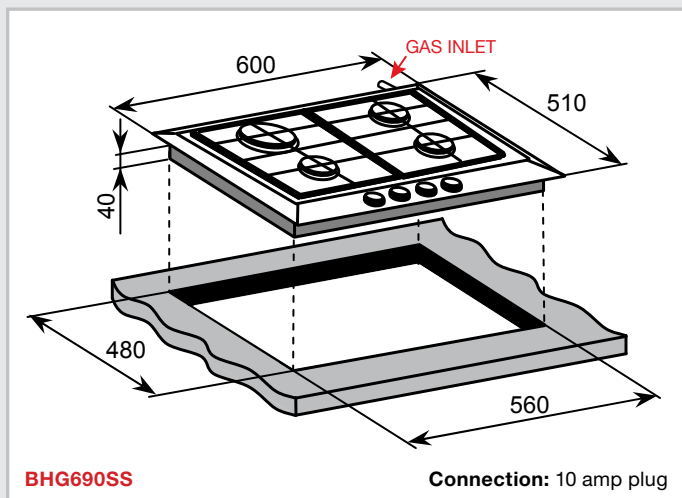
Standard Accessories:

- LPG conversion kit
- Wok cradle



BGH95CF

Cooktop Specifications



Baumatic: Customer Care Program

Our mission at Baumatic is not only to offer you a quality product but to provide you with the support that you deserve when you purchase one of our appliances. Your appliance is supported by a 2 year parts and labour customer care program provided by Think Appliances.

WWW.BAUMATIC.COM.AU


Baumatic[®]
APPLIANCE CHIC

Baumatic Appliances
416-424 Barry Road
Coolaroo, Victoria, AUSTRALIA 3048

Customer Care Phone 1800 444 357
Sales Phone 1300 132 824
Spare Parts Phone 1300 306 973

Customer Care Fax 1300 133 279
Sales Fax 1300 660 188
Spare Parts Fax 1300 887 306

All Baumatic appliances are suitable for household and domestic use only and come with a 2 year parts and labour customer care warranty for your peace of mind. Baumatic is imported and serviced by Think Appliances who reserve the right to adjust and modify products in this brochure without prior notification. Some images in this brochure may be indicative. Please refer to individual product user manuals for full installation details. To get the most from your Baumatic appliances or in the event you require any assistance please contact the relevant department above.